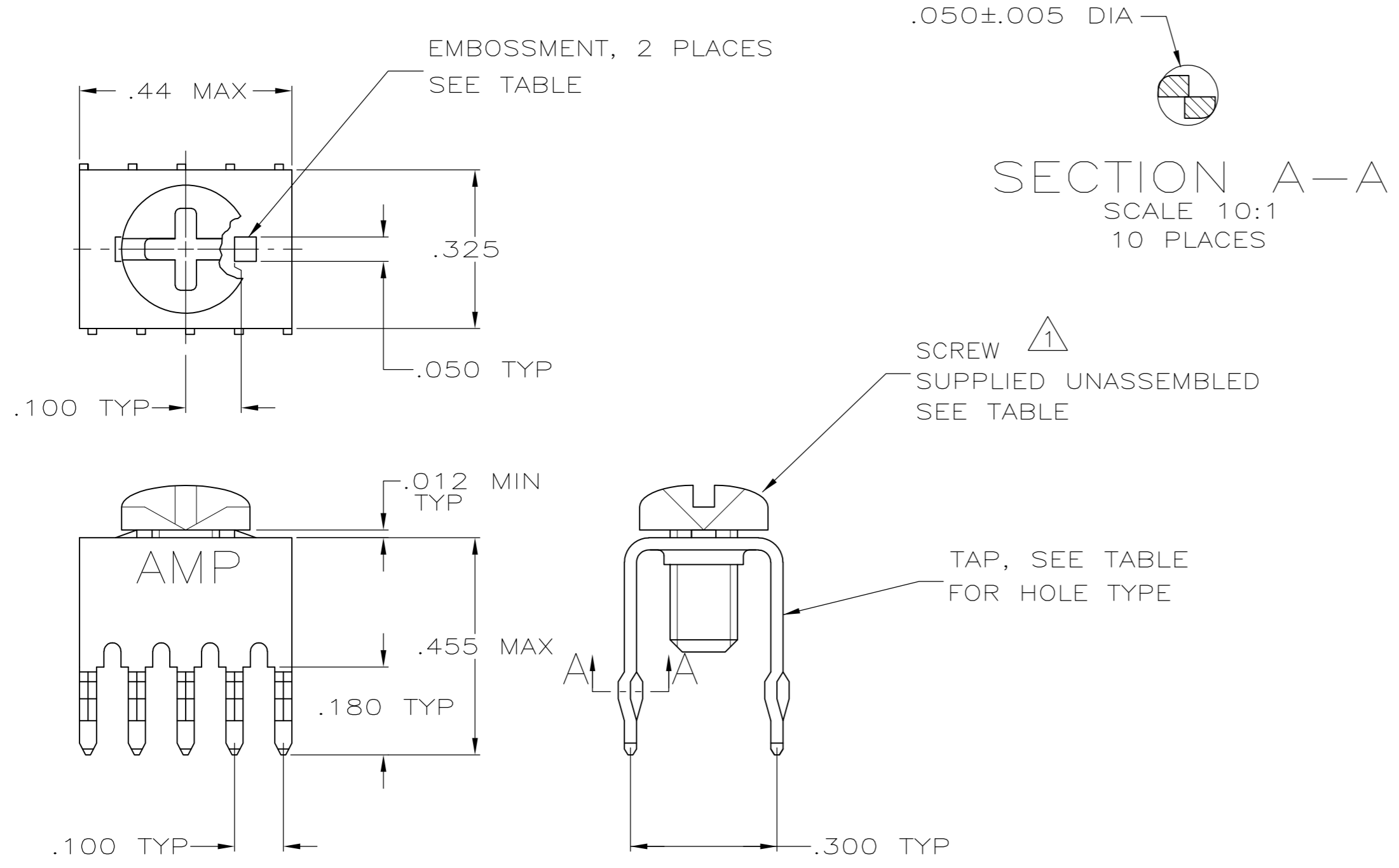
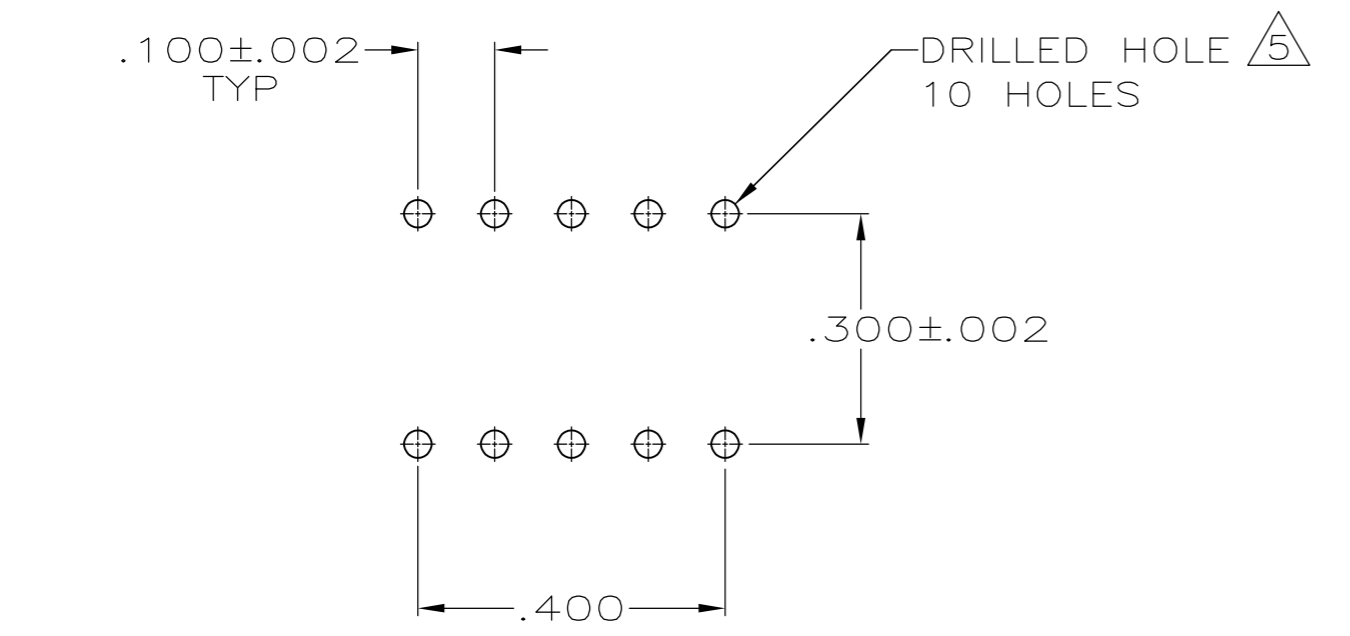


THIS DRAWING IS UNPUBLISHED. RELEASED FOR PUBLICATION  
 © COPYRIGHT - By - ALL RIGHTS RESERVED.

LOC	DIST	REVISIONS			
P	LTR	DESCRIPTION	DATE	DWN	APVD
AA	00	C1	REVISED PER ECO-11-004835	11MAR11	RK HMR



- ① TO PREVENT THREAD STRIPPING, SCREW TORQUE SHOULD NOT EXCEED 9 IN LBS.
- ② TAP HOLE IS 6-32UNC-2B, TWO MIN THREADS.
- ③ TAP HOLE IS M4 X 0.7, TWO MIN THREADS.
- ④ TAP: .000020-.000120 MATTE TIN OVER .000050 NICKEL.
- ⑤ REFERENCE APPLICATION SPECIFICATION 114-11000 FOR DRILL HOLE SIZES AND FINISHES.



PC BOARD PATTERN

FINISH	HOLE TYPE	SCREW	EMBOSSMENT	PART NUMBER
④	③	NO	YES	1-5055558-1
④	②	NO	NO	5055558-7
	②	993879-1	YES	5055558-4
	②	NO	YES	5055558-3

THIS DRAWING IS A CONTROLLED DOCUMENT.		DWN J. ALCORTA - DOCK5 CHK 05-04-05	TE Connectivity	
DIMENSIONS: INCHES	TOLERANCES UNLESS OTHERWISE SPECIFIED:	A. FRANTUM S. FLICKINGER APVD 05-04-05	NAME TAP, POWER DISTRIBUTION	
	0 PLC ± -	PRODUCT SPEC 108-11030	SIZE A2	CAGE CODE 00779
	1 PLC ± -	APPLICATION SPEC 114-11000	DRAWING NO C=5055558	RESTRICTED TO -
MATERIAL COPPER ALLOY 725.	FINISH ④	WEIGHT -	SCALE 4:1	SHEET 1 of 1
CUSTOMER DRAWING			REV C1	

5055558